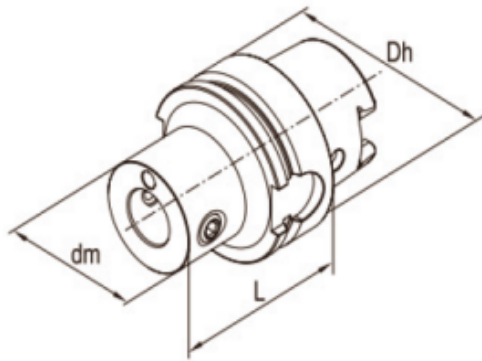




Edgetec HSK Taper Shank ABS Tool Holders

DIN69893



Series

Used for holding boring cutter with ABS quick shank.

Order No.	Model	SHANK	Size (mm)			Thrust screw	Receiving screw
			Dh	dm	L		
111-11-401	HSK63A-ABS25-50	HSK-A63	63	25	50	21A.25-E1	21A.25-E2
111-11-402	HSK63A-ABS32-55	HSK-A63	63	32	55	21A.32-E1	21A.32-E2
111-11-403	HSK63A-ABS40-60	HSK-A63	63	40	60	21A.40-E1	21A.40-E2
111-11-404	HSK63A-ABS50-70	HSK-A53	63	50	70	21A.50-E1	21A.50-E2
111-11-405	HSK63A-ABS63-80	HSK-A63	63	63	80	21A.63-E1	21A.63-E2
111-11-406	HSK63A-ABS80-100	HSK-A63	63	100	100	21A.100-E1	21A.100-E2
111-11-601	HSK100A-ABS25-60	HSK-A100	100	25	60	21A.25-E1	21A.25-E2
111-11-602	HSK100A-ABS32-60	HSK-A100	100	32	60	21A.32-E1	21A.32-E2
111-11-603	HSK100A-ABS40-80	HSK-A100	100	40	80	21A.40-E1	21A.40-E2
111-11-604	HSK100A-ABS50-80	HSK-A100	100	50	80	21A.50-E1	21A.50-E2
111-11-605	HSK100A-ABS63-80	HSK-A100	100	63	80	21A.63-E1	21A.63-E2
111-11-606	HSK100A-ABS80-90	HSK-A100	100	80	90	21A.80-E1	21A.80-E2
111-11-607	HSK100A-ABS100-100	HSK-A100	100	100	100	21 A.100-E1	21A.100-E2